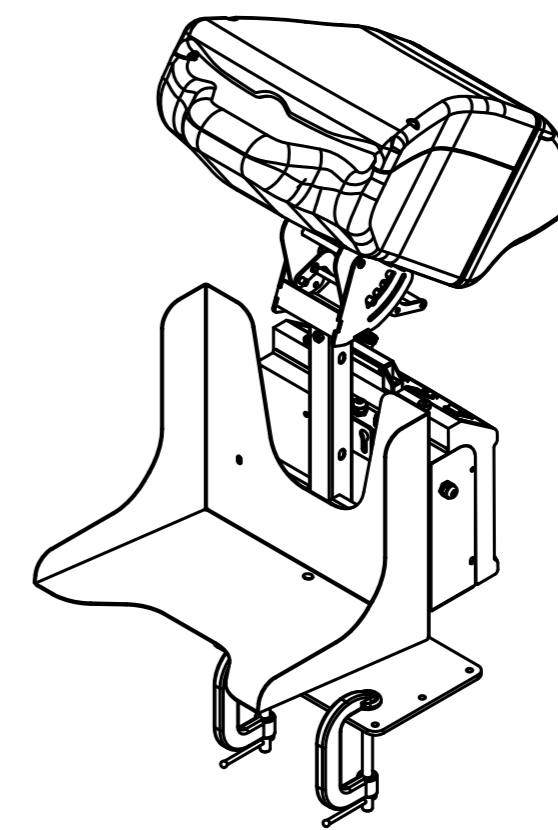
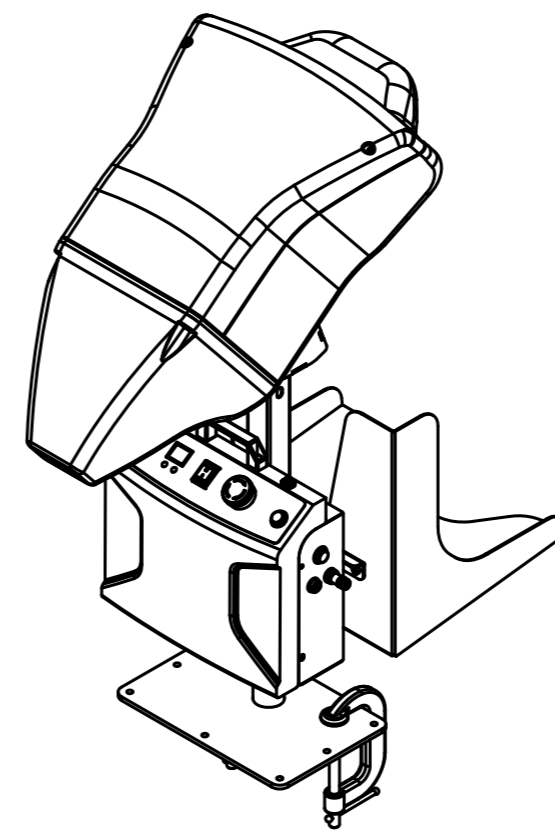
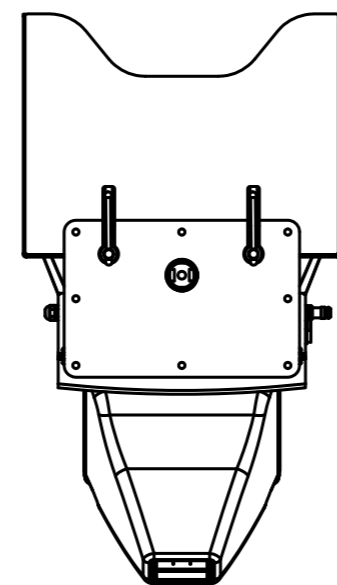
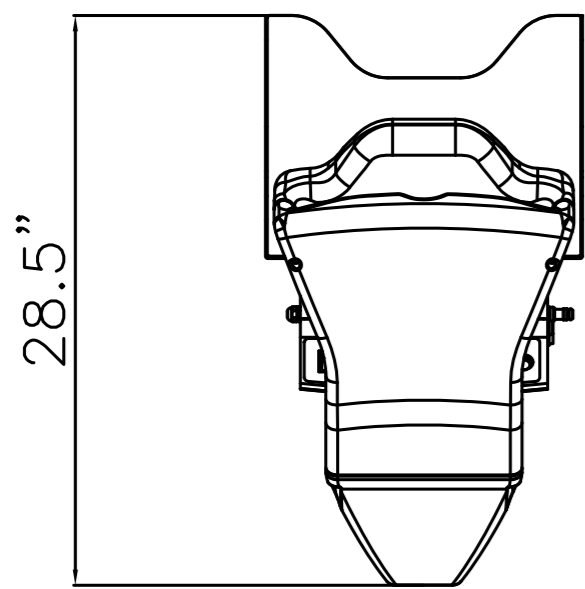
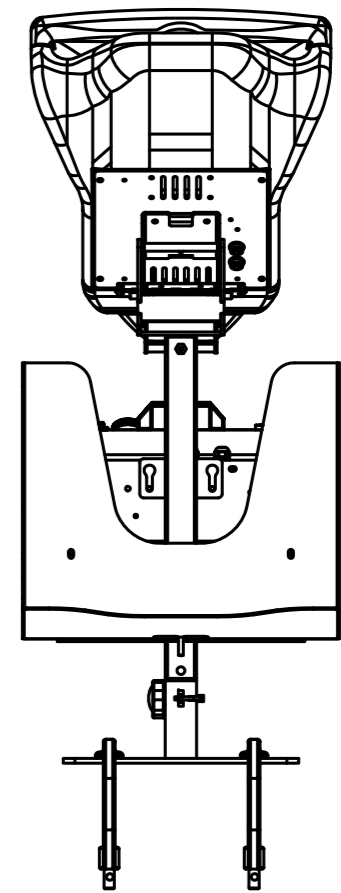
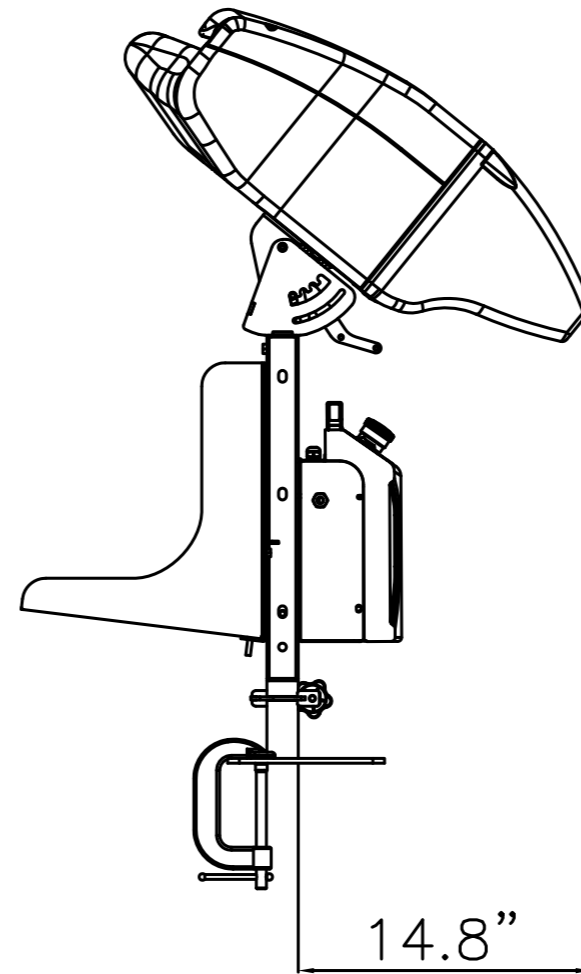
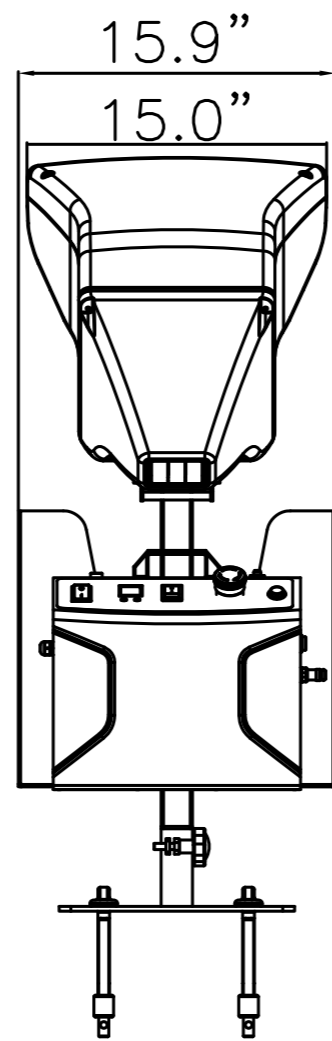
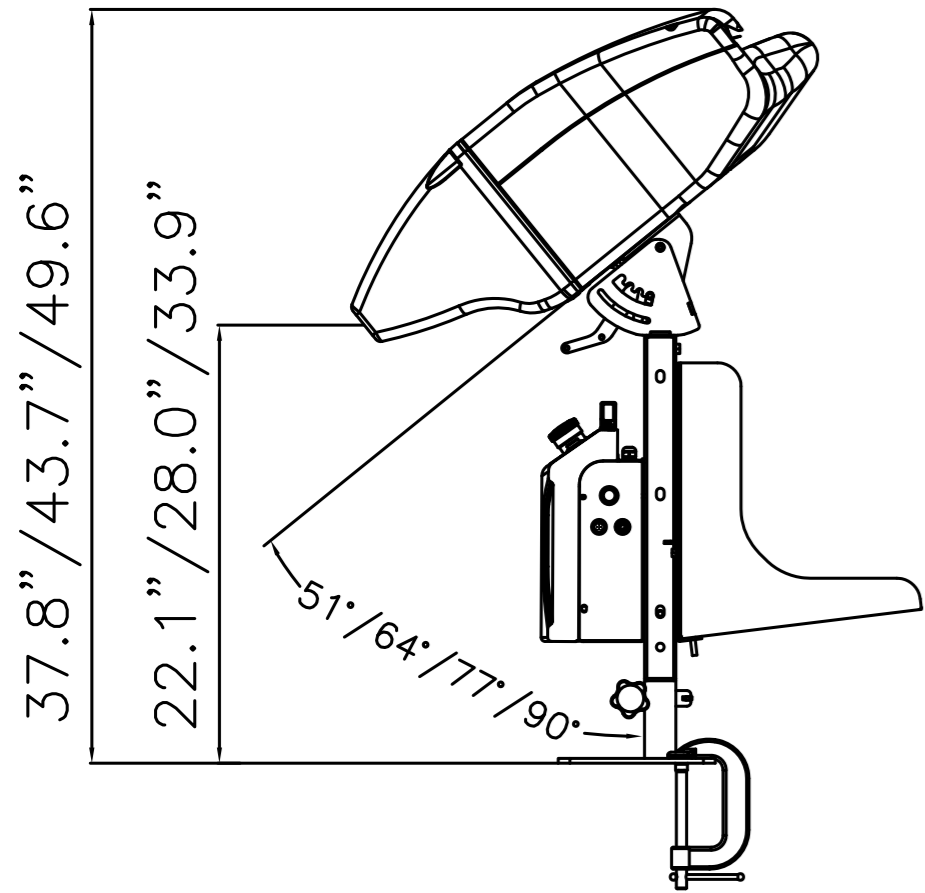
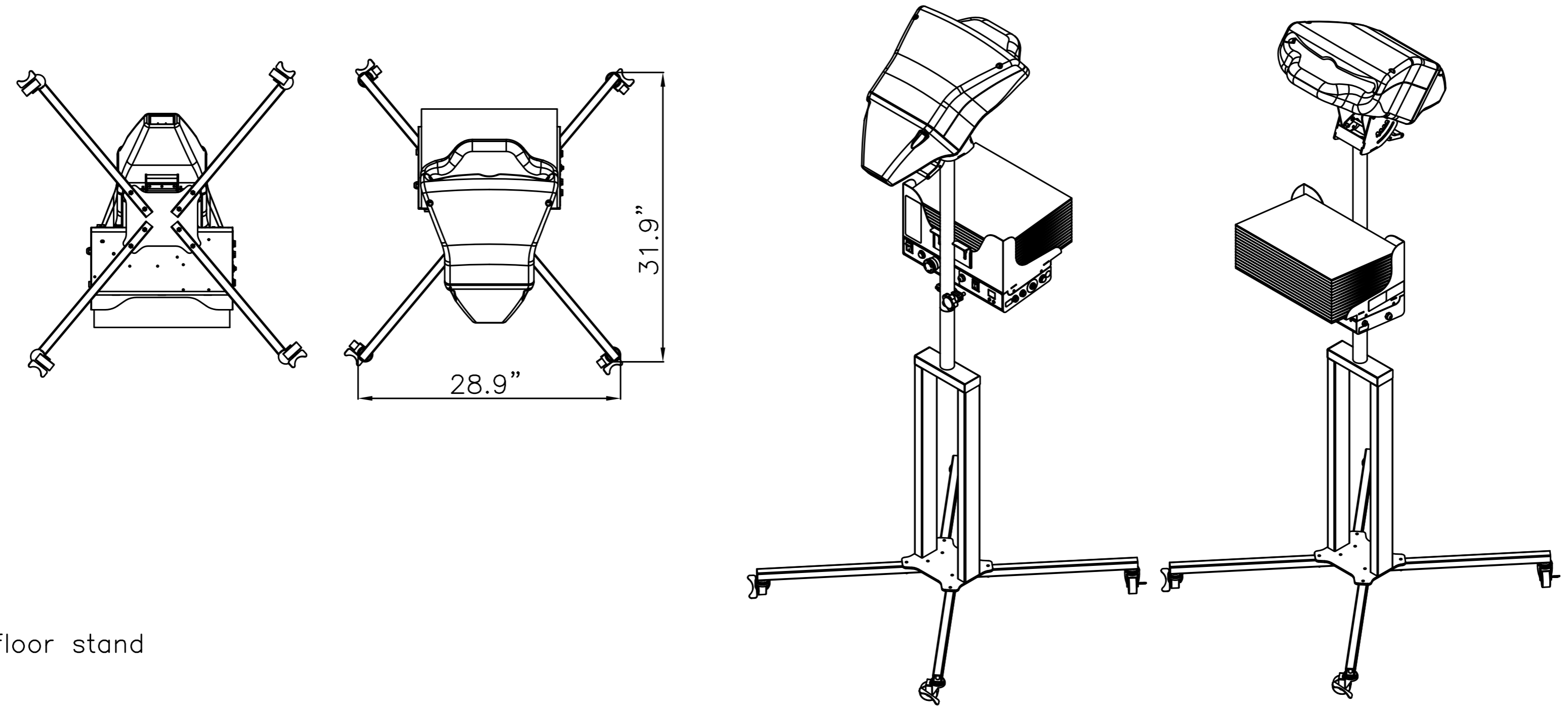
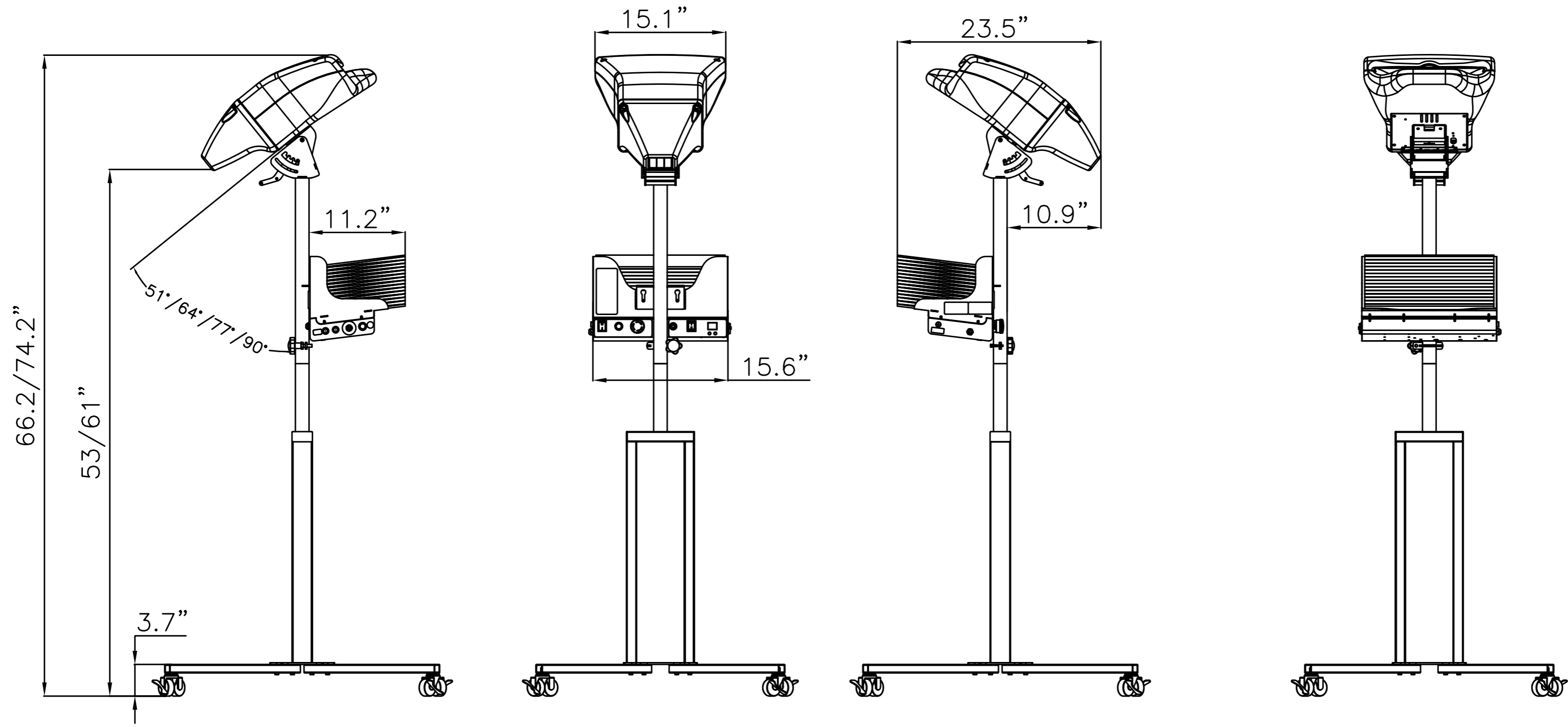


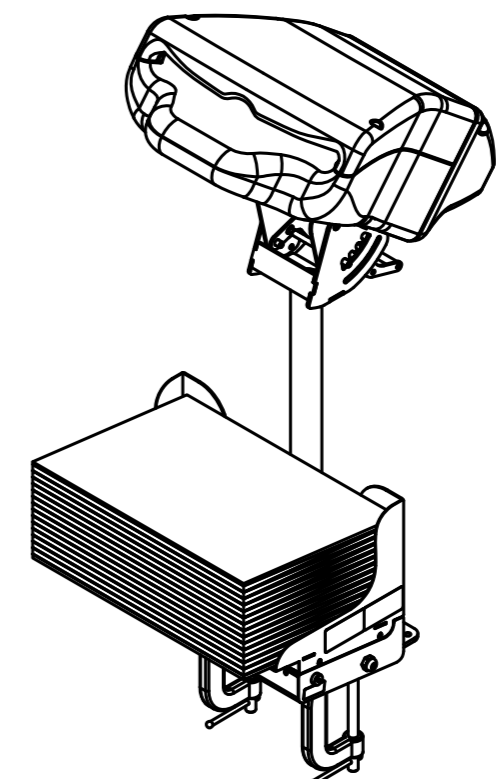
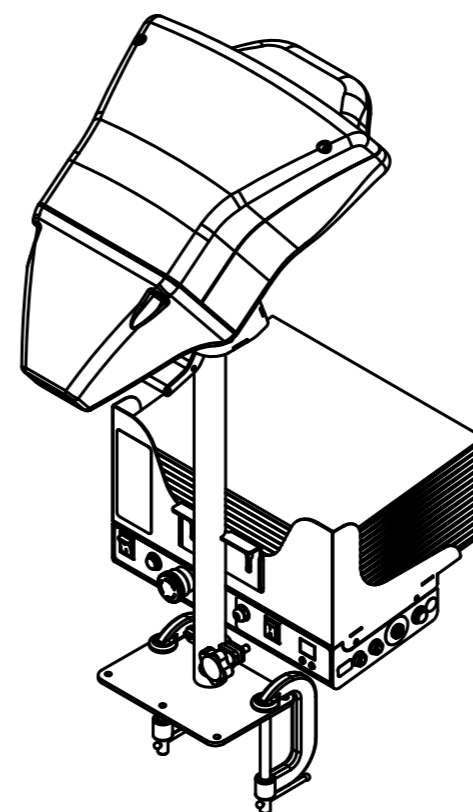
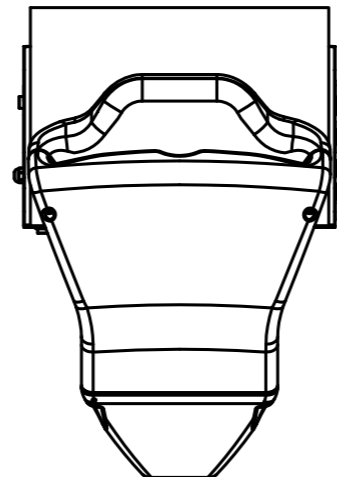
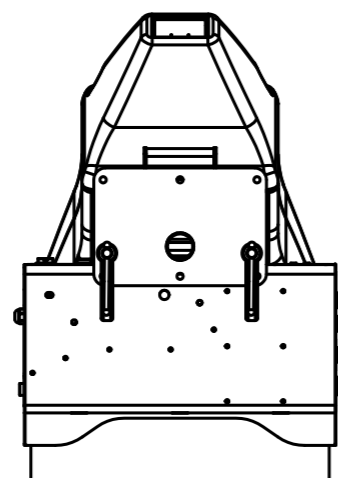
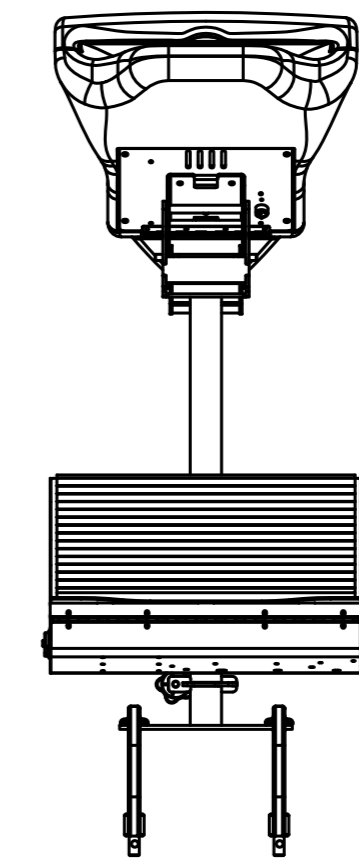
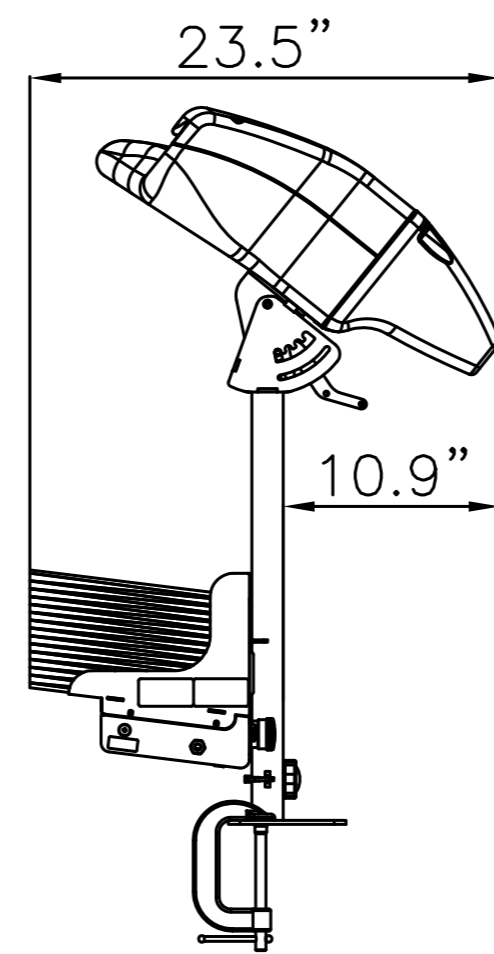
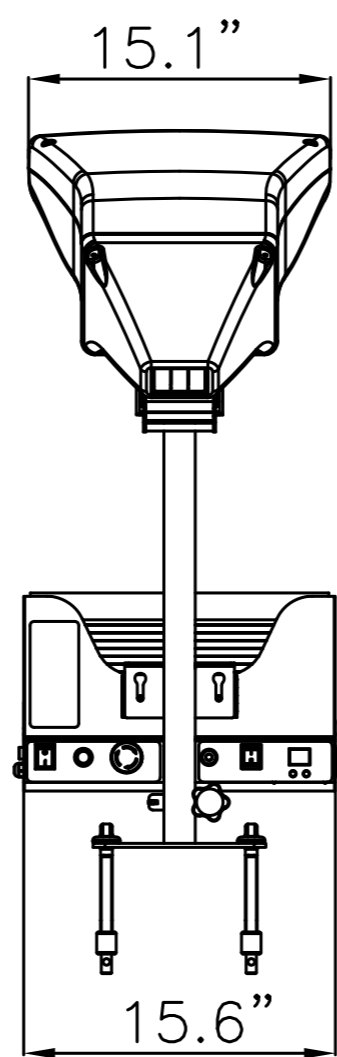
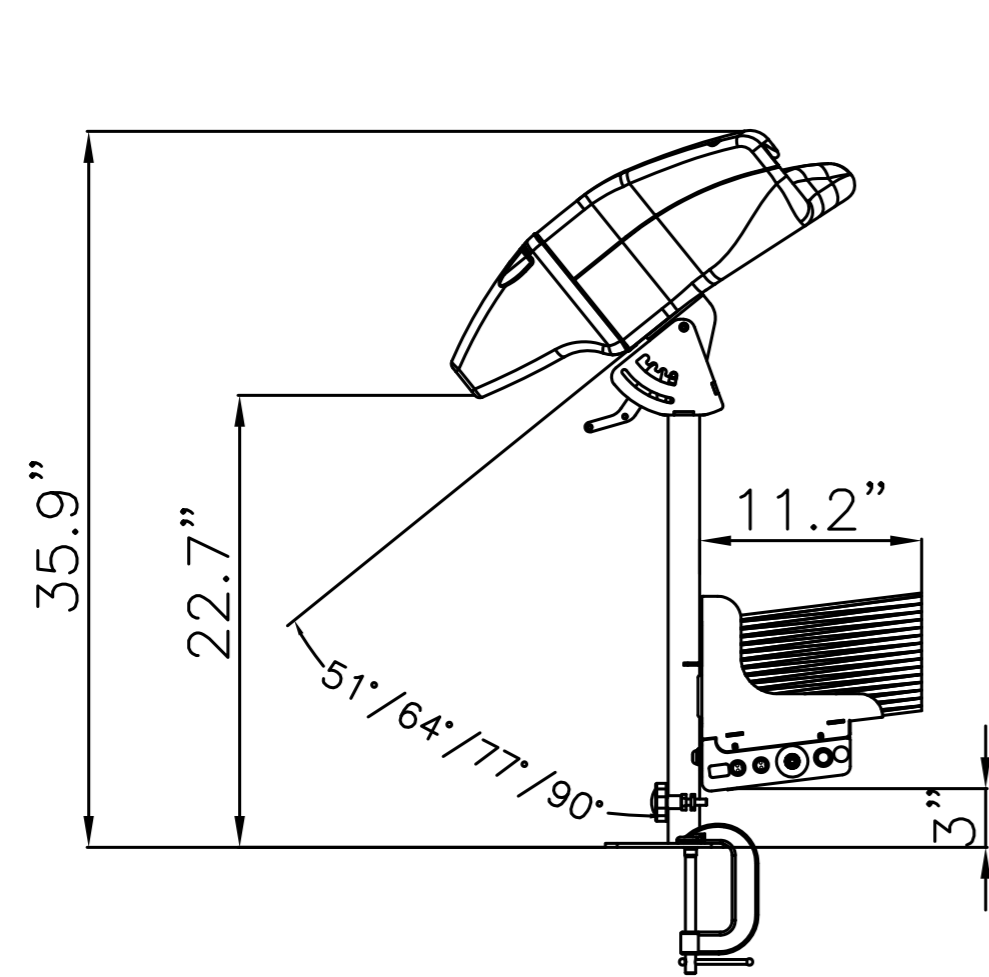
X-Fill with floor stand



X-Fill with table stand



X-Fill SA with floor stand



X-Fill SA with table stand

